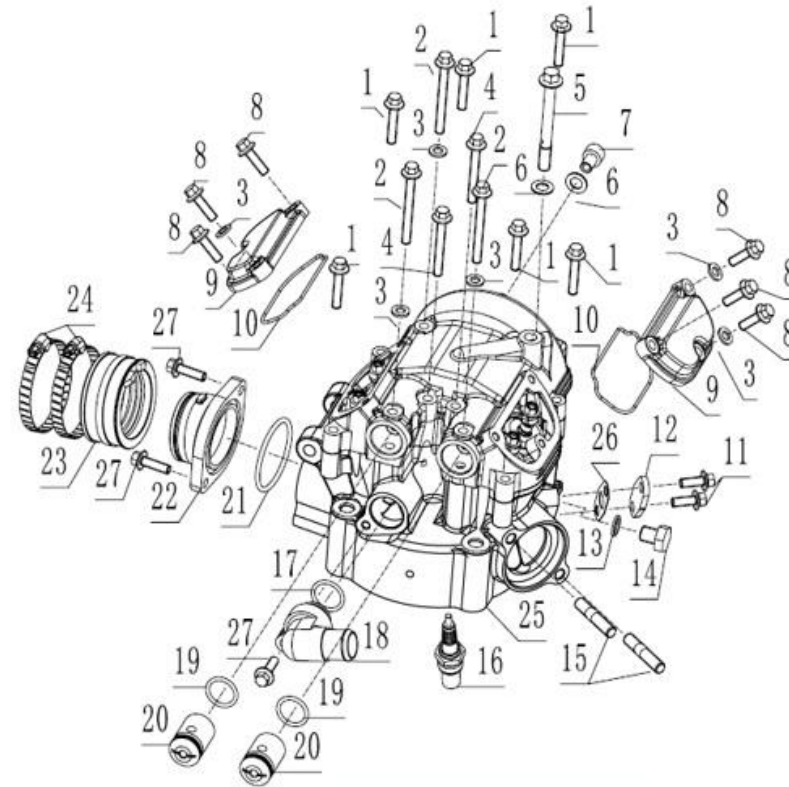


CYLINDER HEAD ASSY

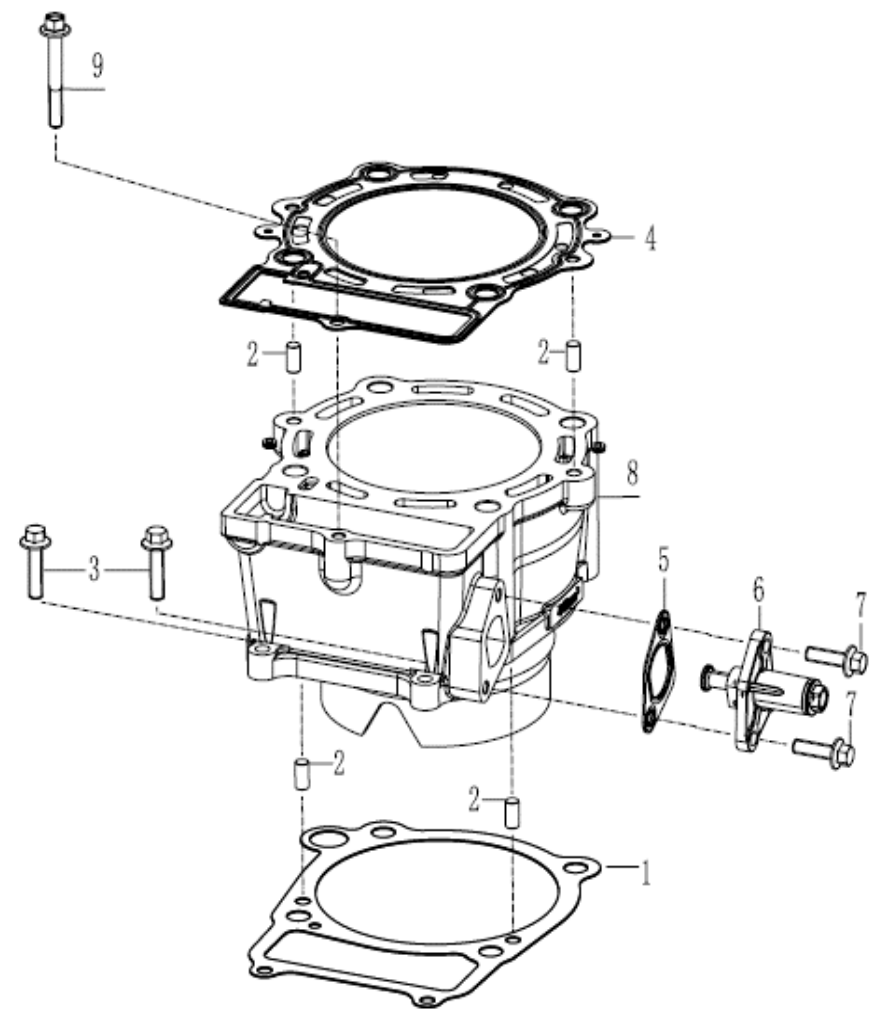
N	PART CODE	WOOMBER WZ45R	QT
1	100033114-0002	Bolt, M6×30	6
2	100033121-0006	Bolt, M6×55	3
3	100106566	Washer, φ6.5×1.5×φ12	6
4	100033120-0001	Bolt, M6×45	2
5	100087793-0001	Bolt, M8×70	1
6	100106575	Washer, φ8.5×1.5×φ15	2
7	100032843-0004	Bolt, M8×12	1
8	100033108-0002	Bolt, M6×20	6
9	100102873-0001	Cover Valve Chamber	2
10	100104529	Ring	2
11	100055589-0006	Bolt, M6×16	2
12	100105429	Intake Cover Board	1
13	100106546	Washer, φ10.5×1.5×φ14	1
14	100204649-0001	Oil Drain Plug	1
15	100100439-0002	Bolt, M8×40	2
16	100081435	Spark Plug	1
17	100107697	O-Ring, φ19×2.4	1
18	100105671	Water Pipe Fitting	1
19	100107691	O-Ring, φ18×2.5	2
20	100105202	Shaft Sleeve Of Shaft Rocker Arm	2
21	100107782	O-Ring, φ45×3	1
22	100105356	Inlet Pipe	1
23	100105372	Connecting Pipe	1
24	100105385	Clamp Inlet Pipe	2
25	100104467-0001	Cylinder Head Assy	1
26	100104640	Paper Gasket	1
27	100055588-0006	Bolt, M6×20	3
28			
29			
30			
31			
32			
33			
34			
35			
36			
37			
38			
39			
40			
41			
42			
43			
44			
45			



WOOMBER

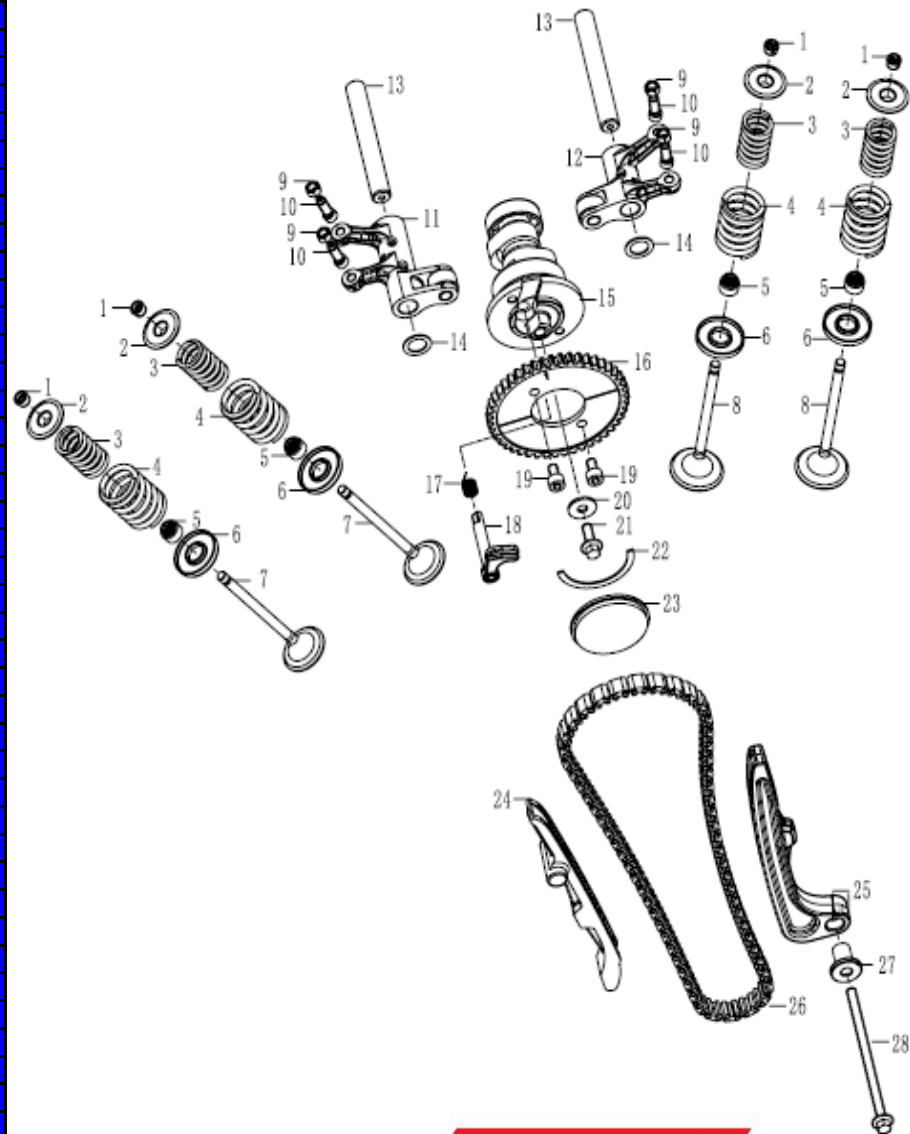
CYLINDER ASSEMBLY

N	PART CODE	WOOMBER WZ45R	QT
1	100078732	Gasket Cylinder Block	1
2	100108526	Pin, $\phi 6 \times 12$	4
3	100033110-0002	Bolt, M6 \times 25	2
4	100104636	Gasket Assy Cylinder Head	1
5	100108520	Gasket Tensioner	1
6	100105242-0002	Chain Tensioning Wheel	1
7	100055588-0006	Bolt, M6 \times 20	2
8	100104404-0001	Cylinder Block Assembly	1
9	100033120-0001	Bolt, M6 \times 45	1
10			
11			
12			
13			
14			
15			
16			
17			
18			
19			
20			
21			
22			
23			
24			
25			
26			
27			
28			
29			
30			
31			
32			
33			
34			
35			
36			
37			
38			
39			
40			
41			
42			
43			
44			
45			



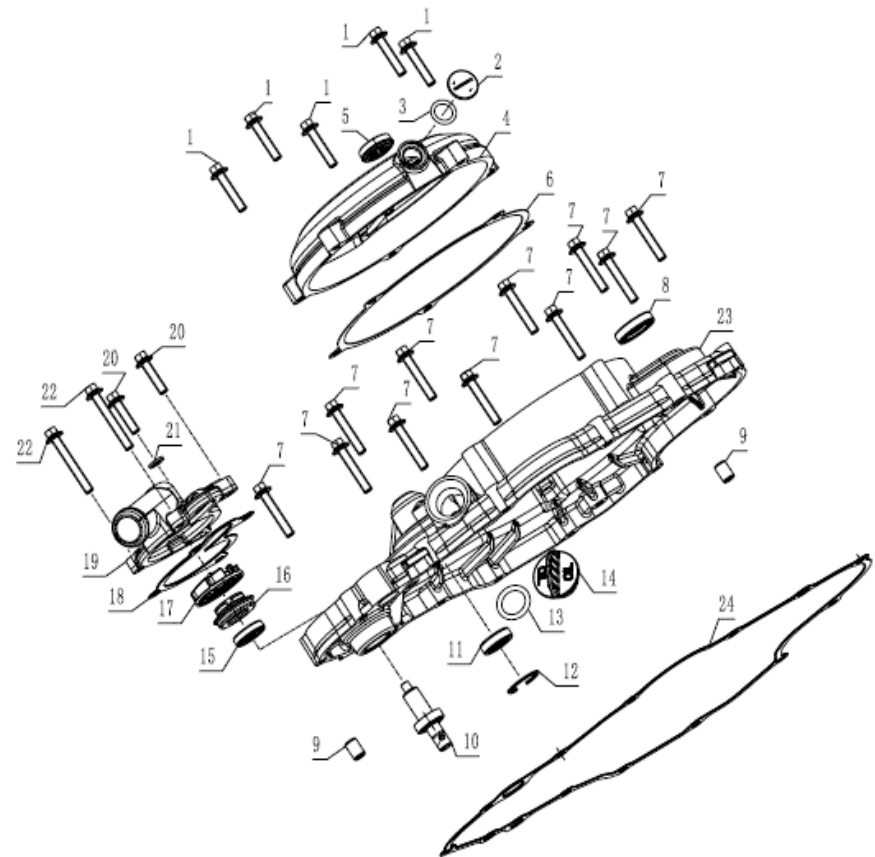
VALVE MECHANISM

N	PART CODE	WOOMBER WZ45R	QT
1	100105323	Valve Locker	8
2	100083714	SpRing, Seat	4
3	100073909	Valve Inner Spring	4
4	100054065	Valve Outer Spring	4
5	100105339	Seal Valve Stem	4
6	100083713	Outer Valve SpRing, Retainer	4
7	100105285	Exhaust Valve	2
8	100105274	Intake Valve	2
9	100105155	Nut Valve Clearance	4
10	100105166	Screw, Valve Clearance	4
11	100105188	Rocker Arm Assembly Valve	1
12	100105187	Rocker Arm Assembly Valve	1
13	100105154	Rocker Shaft	2
14	100106396	Washer, $\phi 12.1 \times 1 \times \phi 18$	2
15	100104969	Cam Shaft Comp	1
16	100069691	Timing Driven Sprocket	1
17	100061588	Decompression SpRing, Of Camshaft	1
18	100059478	Centrifugal Mass Ass	1
19	100010835-0001	Bolt, M6 \times 10	2
20	100106379	Washer, $\phi 6.5 \times 1.5 \times \phi 18$	2
21	100055589-0006	Bolt, M6 \times 16	1
22	100059951	Stop Plate Camshaft	1
23	100102895	Seal Colloid Of Cylinder Head	1
24	100105229	Guide Plate Chain	1
25	100105216	Tension Plate Assy	1
26	100070093	Sproket Chain	1
27	100105211	Bush	1
28	100033090-0004	Bolt, M6 \times 105	1
29			
30			
31			
32			
33			
34			
35			
36			
37			
38			
39			
40			
41			
42			
43			
44			
45			



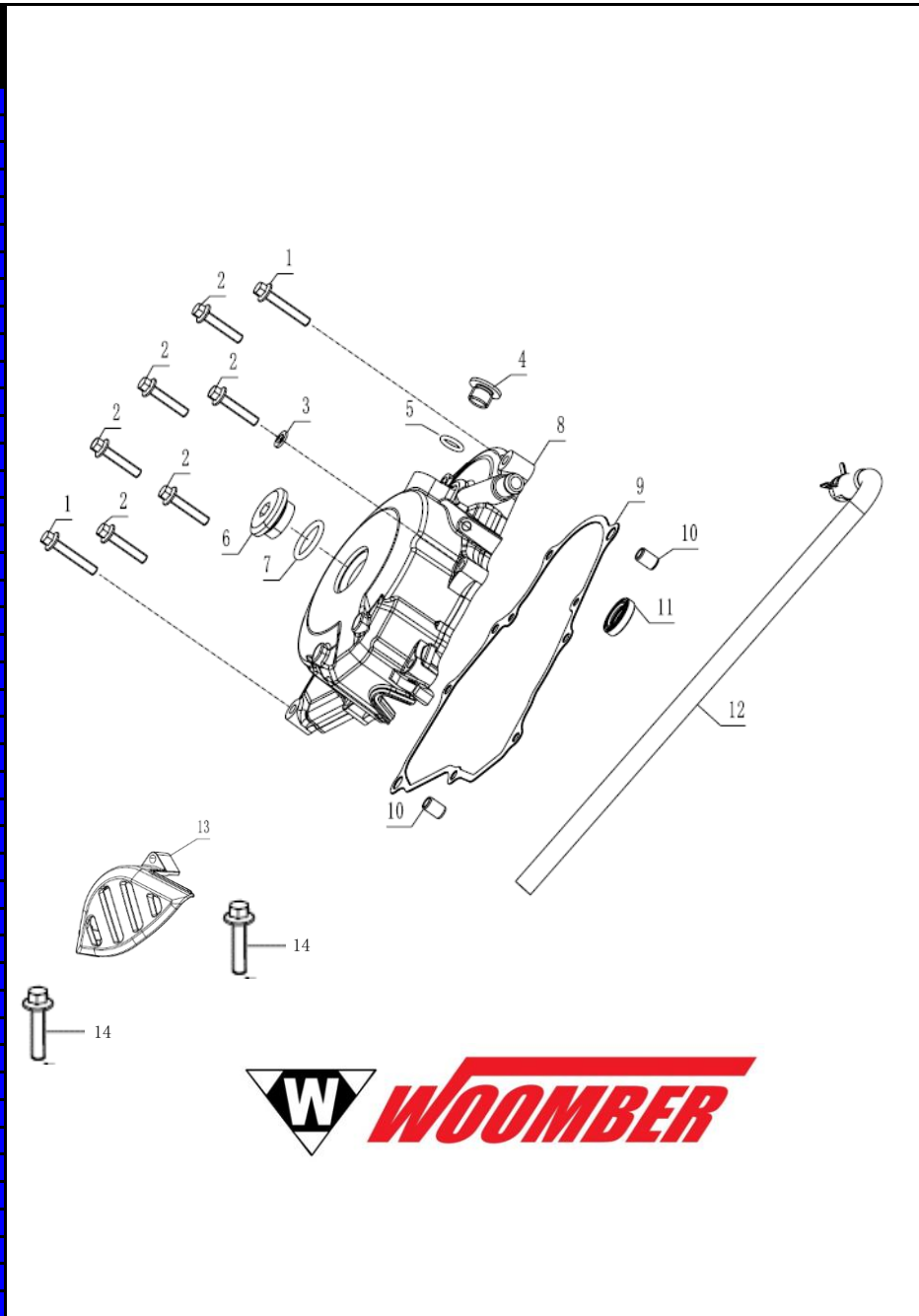
RIGHT CRANKCASE COVER

N	PART CODE	WOOMBER WZ45R	QT
1	100011536-0002	Bolt, M6×30	5
2	100103059-0003	Cap Small View Hole	1
3	100010118	O-Ring, $\phi 13.2 \times 2.65$	1
4	100101318-0003	Decorate Cover R.Crankcase Cover	1
5	100101321	Oil Lelve Sight Window	1
6	100104615	Gasket Decotate Cover	1
7	100011537-0002	BoIt, M6×35	11
8	100104744	Oil Seal 18×30×7	1
9	100102726	Dowel Pin, $\phi 9 \times 13$	2
10	100069942	Shaft Water Pump Ass.	1
11	100104688	Oil Seal 14×24×7	1
12	100011077	Retaining Ring, 24	1
13	100107693	O-Ring, $\phi 18 \times 3.55$	1
14	100104938	Oil Plug Assy	1
15	100104809	Oil Seal 12×24×6	1
16	100105543	Water Pump Seal	1
17	100066800	Ane Wheel Water Pump	1
18	100069962	Gasket	1
19	100067393-0002	Water Pump Cover	1
20	100011534-0002	Bolt, M6×25	2
21	100106566	Washer, $\phi 6.5 \times 1.5 \times \phi 12$	1
22	100011539-0001	Bolt, M6×45	2
23	100101309-0003	Cover Comp Right Crankcase	1
24	100104577	Gasket R.Crankcase Cover	1
25			
26			
27			
28			
29			
30			
31			
32			
33			
34			
35			
36			
37			
38			
39			
40			
41			
42			
43			
44			
45			



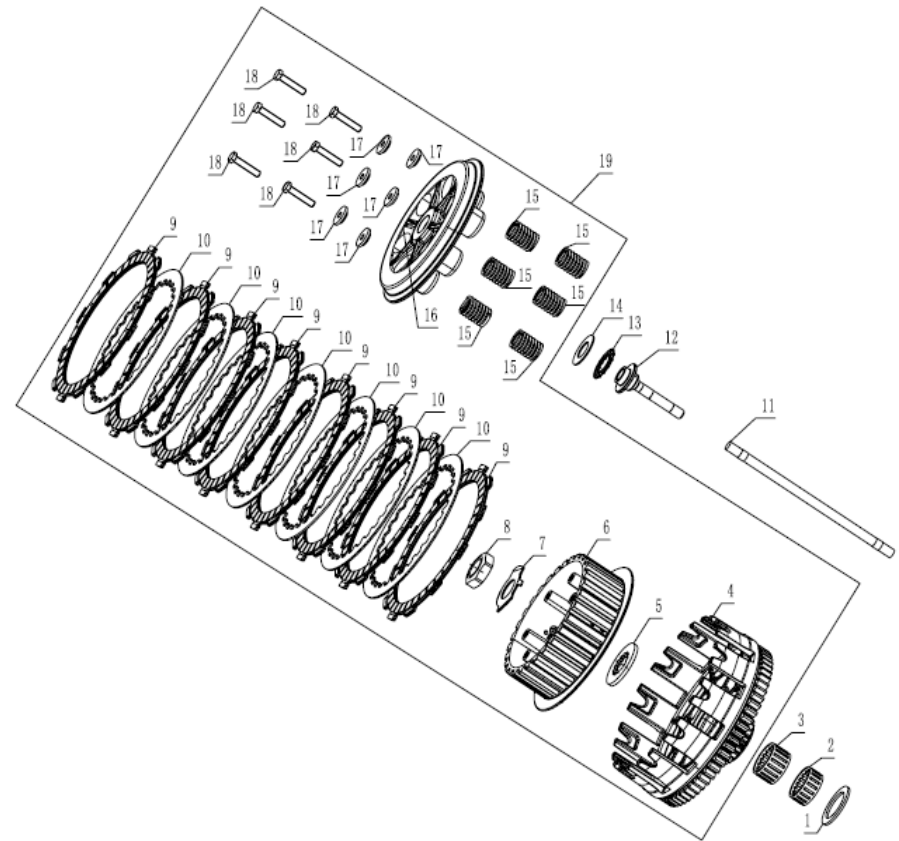
LEFT CRANKCASE COVER

N	PART CODE	WOOMBER WZ45R	QT
1	100011537-0002	Bolt, M6×35	2
2	100011536-0002	Bolt, M6×30	6
3	100106566	Washer, φ6.5×1.5×φ12	1
4	100105195	Bolt	1
5	100107654	O-Ring, φ11.8×2.6	1
6	100103063-0002	Cap Big View Hole	1
7	100107715	O-Ring, φ22.5×3.55	1
8	100102799-0003	Front Part, L. Crankcase Cover	1
9	100104579	Gasket Cylinder Head Upper Cover	1
10	100102726	Dowel Pin, φ9×13	2
11	100104662	Oil Seal 14×26×6	1
12	100102977	Pipe Assy	1
13	100103122	Back Part L. Crankcase Cover	1
14	100011536-0002	Bolt, M6×30	2
15			
16			
17			
18			
19			
20			
21			
22			
23			
24			
25			
26			
27			
28			
29			
30			
31			
32			
33			
34			
35			
36			
37			
38			
39			
40			
41			
42			
43			
44			
45			



CLUTCH ASSY

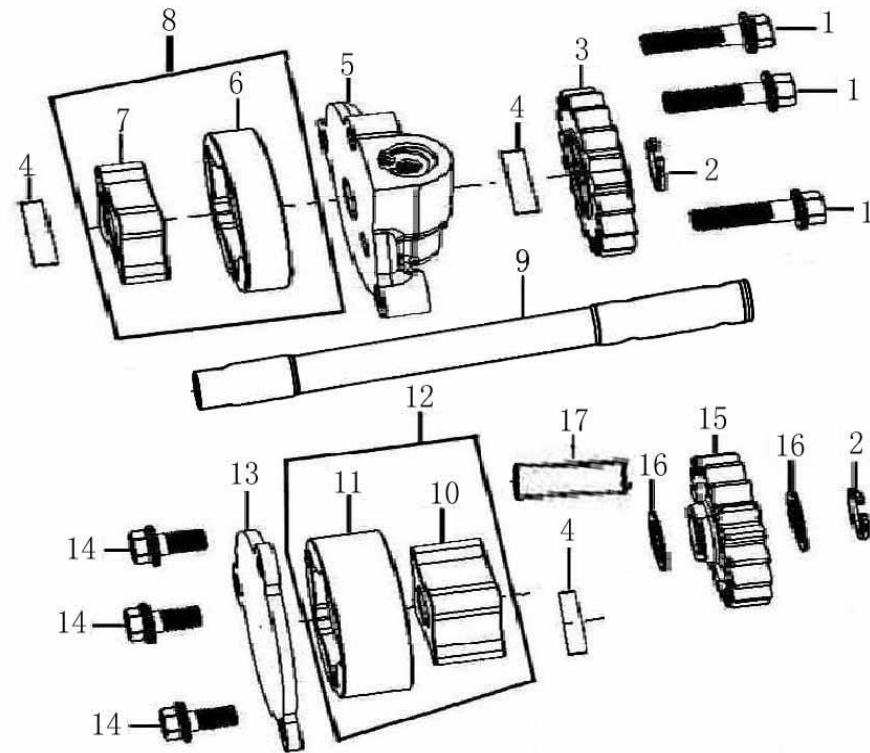
N	PART CODE	WOOMBER WZ45R	QT
1	100106487	Washer, $\phi 25 \times 1.8 \times \phi 36$	1
2	100101018	Needle BeRing, (K25 \times 29 \times 13)	1
3	100101254	Needle BeRing, (K25 \times 29 \times 13)	1
4	100107925	Out Case Assembly Clutch	1
5	100107885	Washer	1
6	100107895	Center Sleeve Clutch	1
7	100059394	Stop Washer, Clutch	1
8	100059392	Nut M18	1
9	100203053	Drive Friction Disk	8
10	100107972	Outer Friction Disk A	7
11	100103437	Pushing Rod Clutch	1
12	100107977	Rod Clutch Push	6
13	100101204	BeRing, (Axk1528)	1
14	100106415	Washer, $\phi 15 \times 1 \times \phi 28$	1
15	100103395	SpRing, Clutch	6
16	100103378	Pressure Plate Clutch	1
17	100202986	Clutch Disengage SpRing, Seat	6
18	100033034-0001	Bolt, M6 \times 30	6
19	100103326	Clutch Assy	1
20			
21			
22			
23			
24			
25			
26			
27			
28			
29			
30			
31			
32			
33			
34			
35			
36			
37			
38			
39			
40			
41			
42			
43			
44			
45			



OIL PUMP

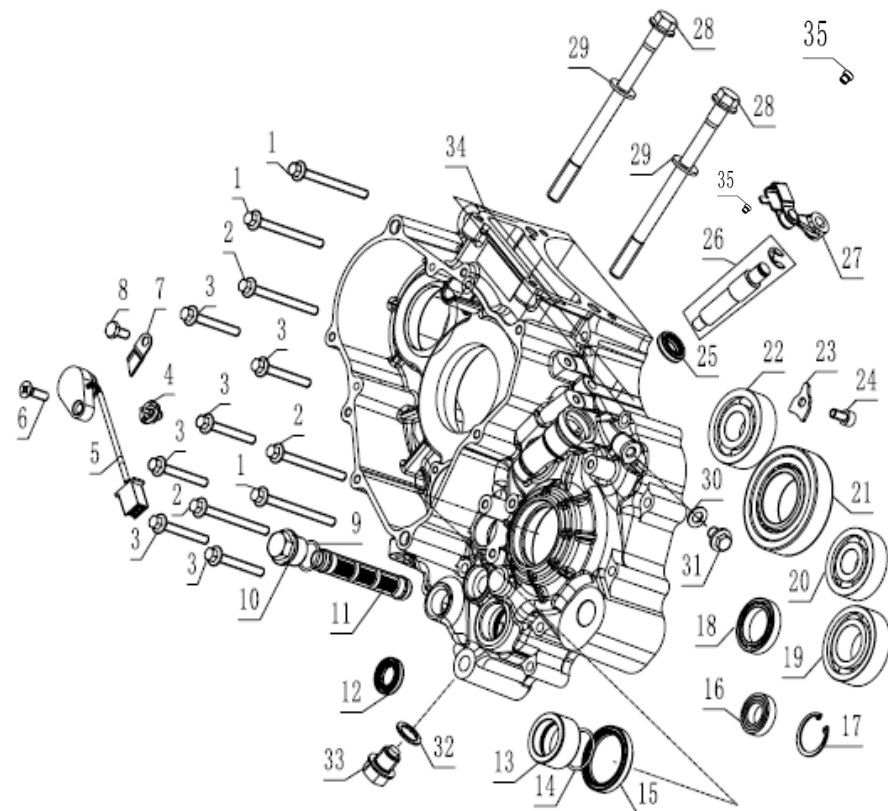
WOOMBER WZ45R

N	PART CODE	DESCRIPTION	QT
1	100011521-0001	Bolt, M5×18	3
2	100011094	Retaining Ring, 10	2
3	100083712	Oil Pump Gear Ass.	1
4	100100903	Pin, φ4×15.8	3
5	100100168	Oil Pump Cover	1
6	100100207	Outer Rotor Oil Pump	1
7	100100196	Inner Rotor Oil Pump	1
8	100100215	Oil Pump Rotor	1
9	100100157	Shaft Oil Pump	1
10	100100197	Inner Rotor Oil Pump	1
11	100100208	Outer Rotor Oil Pump	1
12	100100216	Oil Pump Rotor	1
13	100100167	Oil Pump Cover	1
14	100011518-0001	Bolt, M5×12	3
15	100083711	Oil Pump Gear	1
16	100106390	Washer, φ10.2×0.5×φ15	2
17	100100218	Oil Pump Gear Shaft	1
18			
19			
20			
21			
22			
23			
24			
25			
26			
27			
28			
29			
30			
31			
32			
33			
34			
35			
36			
37			
38			
39			
40			
41			
42			
43			
44			
45			



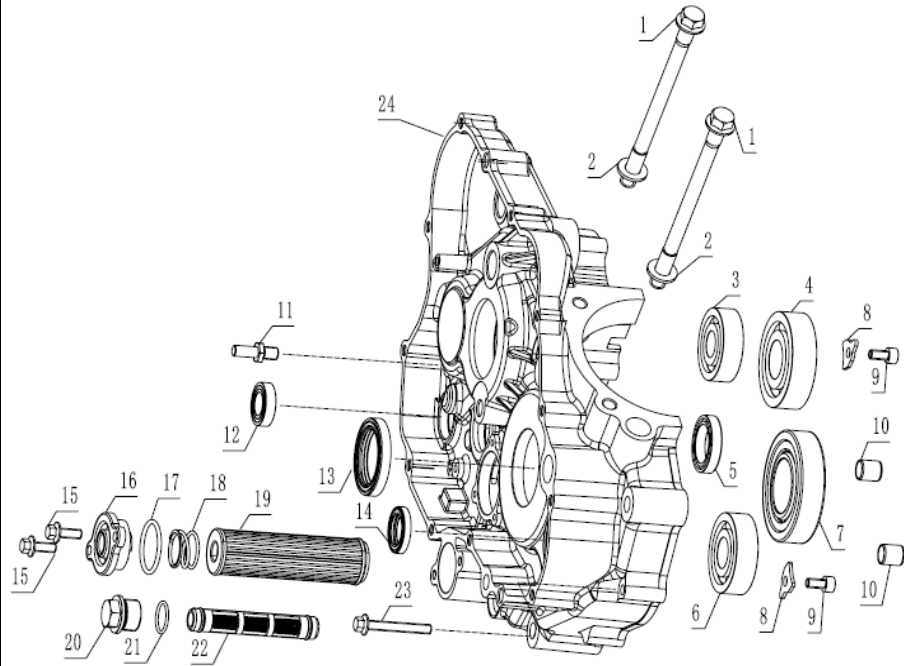
LEFT CRANKCASE

N	PART CODE	WOOMBER WZ45R	QT
1	100071619-0001	Bolt, M6×70	3
2	100071434-0001	Bolt, M6×65	3
3	100033120-0001	Bolt, M6×45	6
4	100104487	Contact Cearindication	1
5	100104494-0001	Gearshift Switch Comp	1
6	100010973-0005	Screw, M6×20	1
7	100102900	Position Plate	1
8	100011171-0002	Bolt, M6×12	1
9	100107684	O-Ring, φ17.5×1.8	1
10	100104918-0001	Cover Oil Filter Screen	1
11	100060838	Strainer Oil Filter	1
12	100104830	Oil Seal 15×25×5	1
13	100103518	Bush	1
14	100107725	O-Ring, φ25×2	1
15	100104814	Oil Seal 35×45×6	1
16	100010771	Bearing, 61902	1
17	100011078	Retaining Ring, 28	1
18	100100927	Bearing, 61902	1
19	100100932	BeaRing, (Nj205)	1
20	100300748	Bearing, 6303	1
21	100070092	BeaRing, (Nj207)	1
22	100100999	BeaRing, 6304	1
23	100068013	Baffle	1
24	100010836-0006	Bolt, M6×12	1
25	100104747	Oil Seal 14×22×5	1
26	100054535-0001	Clutch Separating Rod	1
27	100106275-0002	Rocker Arm Release Lever Clutch	1
28	100100282	Cylinder Stud Bolt A	2
29	100106393	Washer, φ10.5×2×φ20	2
30	100106575	Washer, φ8.5×1.2×φ15	1
31	100032843-0004	BoIt, M8×12	1
32	100106556	Washer, φ16.5×2×φ23	1
33	100050705-0002	Drain Bolt	1
34	100069936-0002	Left Crankcase Block	1
35	100100726	Oil Nozzle	1
36			
37			
38			
39			
40			
41			
42			
43			
44			
45			



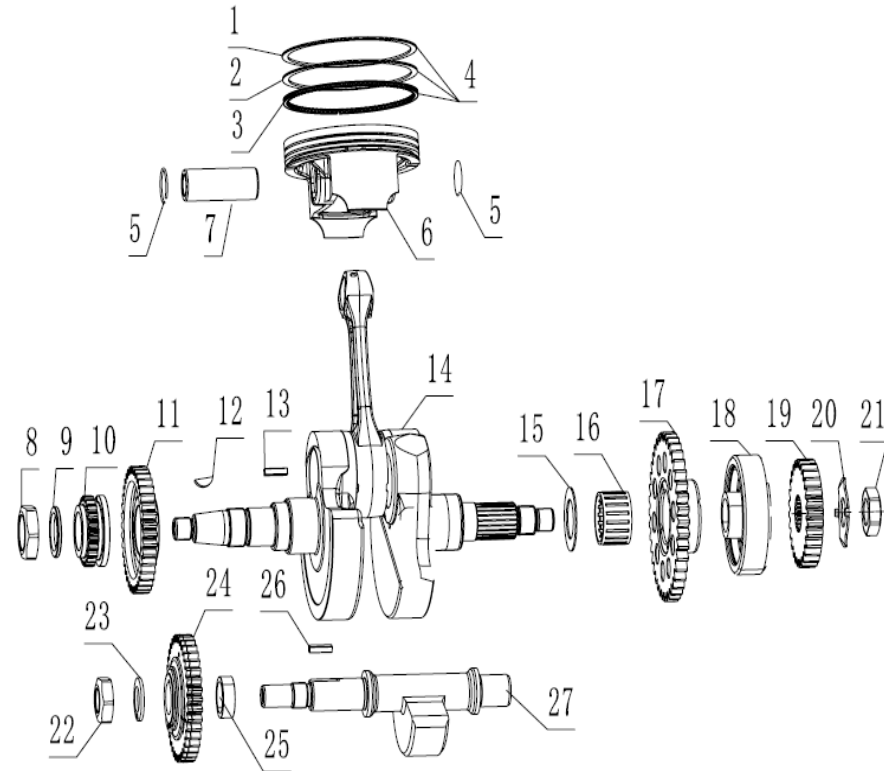
RIGHT CRANKCASE

N	PART CODE	WOOMBER WZ45R	QT
1	100100282	Cylinder Stud Bolt A	2
2	100106393	Washer, $\phi 10.5 \times 2 \times \phi 20$	2
3	100300748	BeaRing, (6303RS C3)	1
4	100101252	BeaRing, (6305 P5)	1
5	100100927	BeaRing, (61805)	1
6	100100999	BeaRing, (6304)	1
7	100070092	BeaRing, (NJ207EM C3)	1
8	100068013	Baffle	2
9	100010836-0006	Bolt, M6 \times 10	2
10	100108525	Dowel Pin, $\phi 13 \times \phi 14$	2
11	100100398	Bolt Return Springn Fixing	1
12	100010771	Bearing, 61902	1
13	100104689	Oil Seal 35 \times 50 \times 7	1
14	100062066	Oil Seal 20 \times 30 \times 5	1
15	100055589-0006	BoIt, M6 \times 16	2
16	100063279-0003	Cap Oil Filter	1
17	100107754	O-Ring, $\phi 30 \times 2.6$	1
18	100100017	SpRing, Oil Fine Filter	1
19	100104863	Oil Filter	1
20	100104918-0001	Cover Oil Filter Screen	1
21	100107684	O-Ring, $\phi 17.5 \times 1.8$	1
22	100060838	Strainer Oil Filter	1
23	100033118-0007	BoIt, M6 \times 40	1
24	100069938-0002	Right Crankcase Block	1
25			
26			
27			
28			
29			
30			
31			
32			
33			
34			
35			
36			
37			
38			
39			
40			
41			
42			
43			
44			
45			



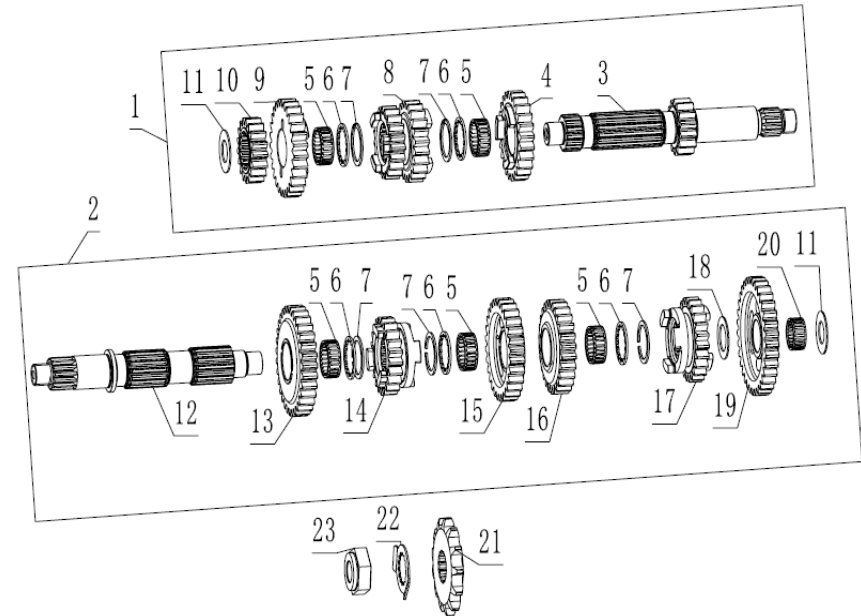
CRANKSHAFT CONNECTING-ROD ASSY/PISTON

N	PART CODE	WOOMBER WZ45R	QT
1	100079025	Piston Ring,1	1
2	100107488	Piston Ring,2	1
3	100079024	Oil Ring,Assy	1
4	100069455	Piston Ring,Comp	1
5	100050301	Check Ring Piston Pin	2
6	100069235	Piston	1
7	100101545	Pin,Piston	1
8	100059393	Nut M24	1
9	100106369	Washer, $\phi 24.2 \times 2.5 \times \phi 32$	1
10	100070382	Hub Dump Chain Sprocket	1
11	100120900	Driving Gear	1
12	100100650	Semicircular Key	1
13	100100661	Tabulate Key	1
14	100076935	Crankshaft Connecting-Rod Assy	1
15	100095893	Washer, $\phi 25 \times 2 \times \phi 40$	1
16	100101022	Needle BeARING, (K29 \times 33 \times 20)	1
17	100086987	Plate Gear Assy	1
18	100086989	Assembly Overrunning Clutch	1
19	100120901	Primary Drive Gear	1
20	100059394	Stop Washer	1
21	100059392	Nut M18	1
22	100059391	Lock Nut,Clutch	1
23	100103345	Dish Washer,Clutch	1
24	100120899	Driven Gear Ass.	1
25	100103573	Crankshaft Tube	1
26	100100661	Tabulate Key	1
27	100087509	Balance Shaft	1
28			
29			
30			
31			
32			
33			
34			
35			
36			
37			
38			
39			
40			
41			
42			
43			
44			
45			



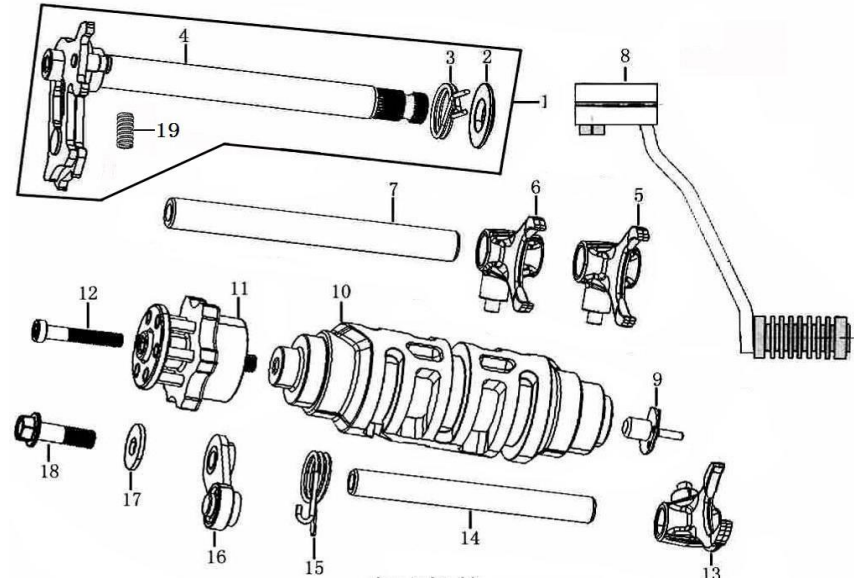
TRANSMISSION MAIN, COUNTER SHAFT

N	PART CODE	WOOMBER WZ45R	QT
1	100106697	Main Shaft Transmission	1
2	100106790	Coutershaft Transmission	1
3	100106702	Transmission Main Shaft	1
4	100106753	Gear M-5	1
5	100078562	Needle BeRing, (KS24×28×10)	5
6	100106764	Washer	5
7	100106772	Circlip	5
8	100106755	Washer, $\phi 20.2 \times 1 \times \phi 28$	1
9	100106754	Gear M-6	1
10	100106752	Gear M-2	1
11	100106441	Washer, $\phi 17.1 \times 1 \times \phi 32$	2
12	100106795	Transmission Main Shaft	2
13	100106872	Gear C-2	1
14	100106876	Gear C-6	1
15	100106873	Gear C-3	1
16	100106874	Gear C-4	1
17	100106875	Gear C-5	1
18	100106467	Washer, $\phi 20.1 \times 1 \times \phi 30$	1
19	100106871	Gear C-1	1
20	100101013	Needle BeRing, (K20×24×10)	1
21	100103847	Drive Sprocket	1
22	100067277	Stop Washer	1
23	100058085	Nut	1
24	100103562	Transmission Main Counter Shaft	1
25			
26			
27			
28			
29			
31			
32			
33			
34			
35			
36			
37			
38			
39			
40			
41			
42			
43			
44			
45			
46			



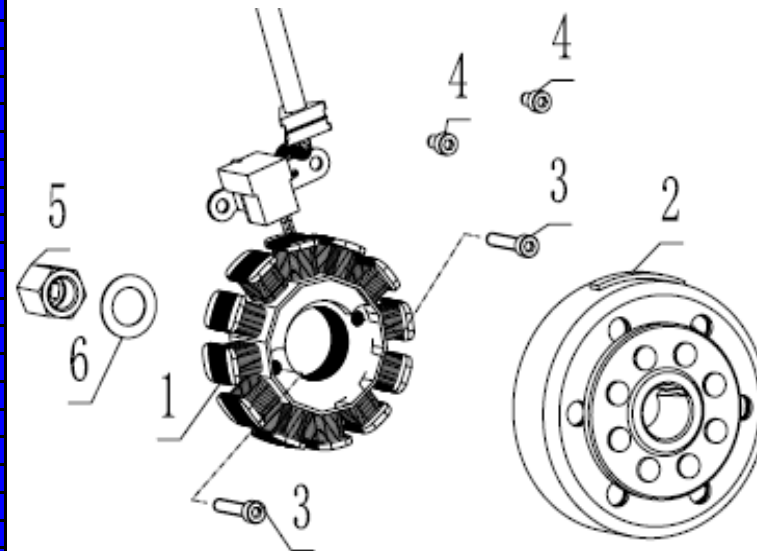
GEARSHIFT MECHANISM

N	PART CODE	WOOMBER WZ45R	QT
1	100103964	Gearshift Lever Comp	1
2	100104001	Axle Sleeve	1
3	100103973	Return Spring	1
4	100203923	Gearshift Shaft Comp	1
5	100103901	Left Fork Countershaft	1
6	100103897	Right Fork Countershaft	1
7	100103929	Guide Pin, Selector Fork Center	1
8	100203972	Gearshift Shaft	1
9	100104487	Contact Gearindication	1
10	100103939	Gearshift Drum Comp	1
11	100103945	Stopping Plate	1
12	100011537-0002	Bolt, M6×35	1
13	100103907	Center Fork Mainshaft	1
14	100103921	Shaft Gearshift Fork	1
15	100103988	SpRing, Locating Plate	1
16	100104010	Locating Plate Assy	1
17	100106379	Washer, φ6.5×1.5×φ18	1
18	100055588-0006	Bolt, M6×20	1
19	100103979	SpRing, Gearshift Plate	1
20			
21			
22			
23			
24			
25			
26			
27			
28			
29			
30			
31			
32			
33			
34			
35			
36			
37			
38			
39			
40			
41			
42			
43			
44			
45			



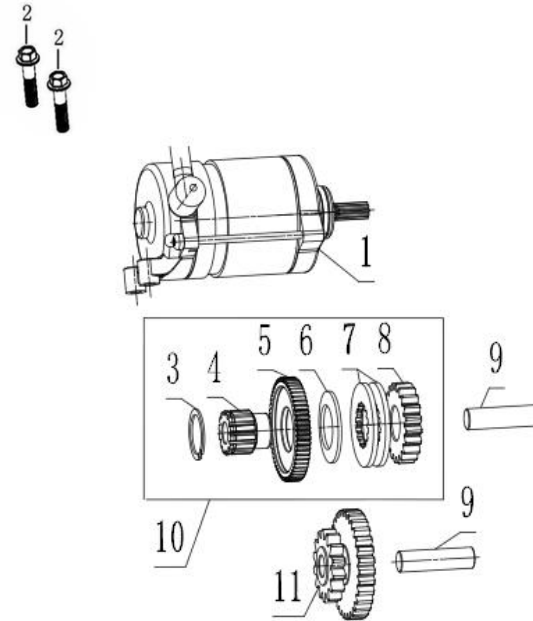
MAGNETO COMP

N	PART CODE	WOOMBER WZ45R	QT
1	100104177-0002	Stator Assy Magneto	1
2	100104203	Rotor Assy Magneto	1
3	100010834-0001	Bolt, M5×30	2
4	100010831-0001	Bolt, M5×10	2
5	100100548	Nut M14×1.5	1
6	100106421	Washer, φ 15.2×1.5× φ 25	1
7			
8			
9			
10			
11			
12			
13			
14			
15			
16			
17			
18			
19			
20			
21			
22			
23			
24			
25			
26			
27			
28			
29			
30			
31			
32			
33			
34			
35			
36			
37			
38			
39			
40			
41			
42			
43			
44			
45			



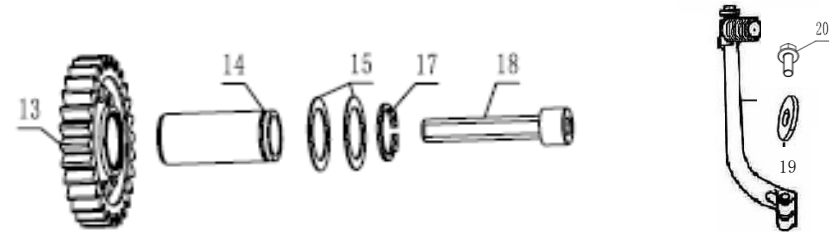
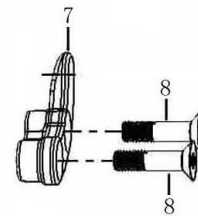
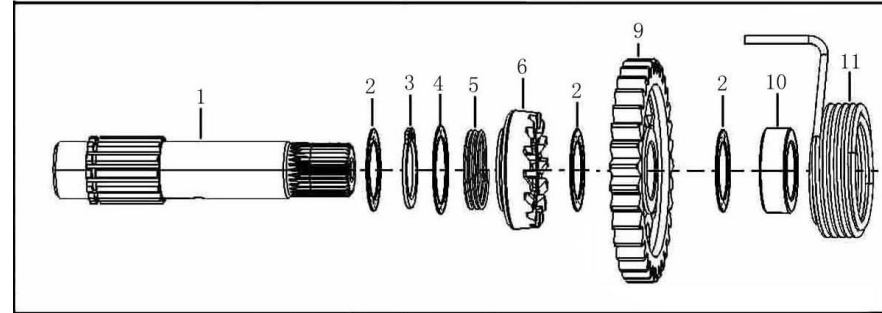
ELECTRIC STARTING MECHANISM

N	PART CODE	WOOMBER WZ45R	QT
1	100083405-0002	Starting Motor Assy	1
2	100011534-0002	Bolt, M6×25	2
3	100103659	Circlip	1
4	100060121	Reduction Shaft Sleeve	1
5	100088950	Twin Gear Set	1
6	100102774	Dish Washer, φ25.5×2×φ41	1
7	100202717	From The Kinetic Friction Slices	2
8	100060851	Reduction Shaft Sleeve	1
9	100062750	Shaft Reduction	2
10	100083794	Gear Reduction 1	1
11	100060120	Gear, Reduction, 2(2#)	1
12			
13			
14			
15			
16			
17			
18			
19			
20			
21			
22			
23			
24			
25			
26			
27			
28			
29			
30			
31			
32			
33			
34			
35			
36			
37			
38			
39			
40			
41			
42			
43			
44			
45			



KICK STARTING SHAFT ASSEMBLY

N	PART CODE	WOOMBER WZ45R	QT
1	100105757	Pivot Kick Starting Shaft	1
2	100106458	Washer, $\phi 18.5 \times 0.5 \times \phi 26$	3
3	100011103	Retaining Ring, 21	1
4	100106480	Washer, $\phi 21.7 \times 0.5 \times \phi 29.5$	1
5	100105789	SpRing, Kick Starting Ratchet Wheel	1
6	100105785	Starting Ratchet	1
7	100105792	Guide Plate	1
8	100060418-0001	Screw, M6 \times 25	2
9	100108204	Gear Kick Starter	1
10	100105741	Seat SpRing, Kick Starting Shaft	1
11	100108209	Return SpRing, Kick Starting Shaft	1
12	100105720	Kick Starting Shaft Assembly	1
13	100103785	Gear	1
14	100103777	Collar	1
15	100106458	Washer, $\phi 18.5 \times 0.5 \times \phi 26$	2
16	100303463	Start-Up Bar Comp	1
17	100011100	Retaining Ring, 18	1
18	100031794-0003	Bolt, M8 \times 40	1
19	100106607	Washer, $\phi 8.5 \times 3 \times \phi 23$	1
20	100011313-0004	Bolt, M8 \times 20	1
21			
22			
23			
24			
25			
26			
27			
28			
29			
30			
31			
32			
33			
34			
35			
36			
37			
38			
39			
40			
41			
42			
43			
44			
45			



ELECTRIC

WOOMBER WZ45R

N	PART CODE		QT
1	100204302-0001	Ignition Coil	1
2	100204369	C. D. I	1
3	100205443	Rectifier	1
4	100205381	Relay	1
5			
6			
7			
8			
9			
10			
11			
12			
13			
14			
15			
16			
17			
18			
19			
20			
21			
22			
23			
24			
25			
26			
27			
28			
29			
30			
31			
32			
33			
34			
35			
36			
37			
38			
39			
40			
41			
42			
43			
44			
45			

