

WOOMBER
W16 250cc 4T



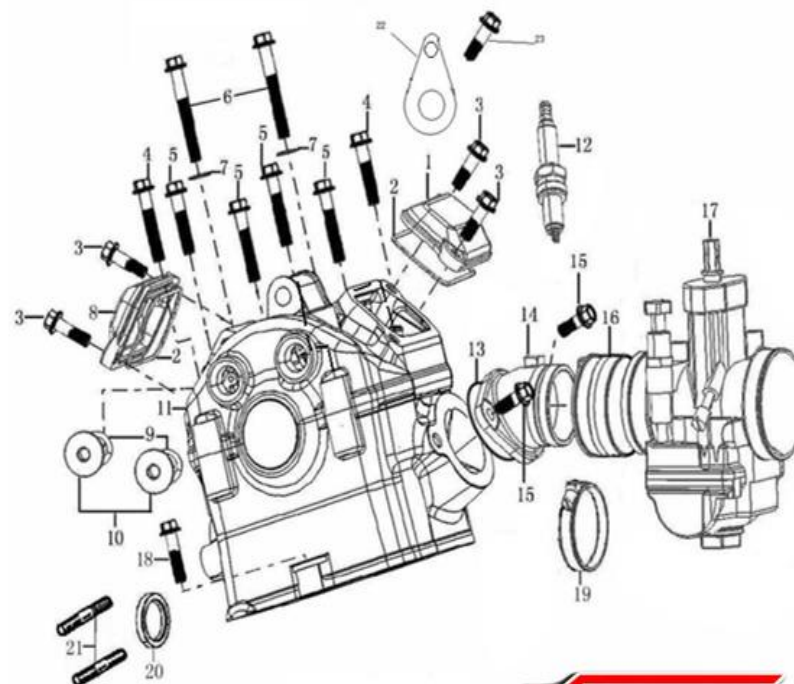
WOOMBER



991223227 - 956569570 - 935408473 - 013886010
AV. POLONIA 1509 LIMA-SJL

CYLINDER HEAD ASSY

NO	(PART CODE)	WOOMBER W16	QT
1	11230-ME30-0000W	COVER, VALVE CHAMBER	1
2	90104-ME30-0000	RING	2
3	B16674A006002070X	BOLT M6×20	4
4	B16674A006003570X	BOLT M6×35	2
5	B16674A006003070X	BOLT M6×30	4
6	91119-ME30-00000X	BOLT M6×60	2
7	93301-80651512000	WASHER 6.5×1.5×12	2
8	11230-ME30-01000W	COVER, VALVE CHAMBER	1
9	90101-30118000260	O-RING 11.8×2.6	2
10	15415-ME30-0000	BOLT	2
11	1122B-ME30-00000W	CYLINDER HEAD ASSY	1
12	81300-BA81-0200	SPARK PLUG	1
13	90101-30380000300	O-RING 38×3	1
14	15800-ME30-0000	INLET PIPE	1
15	B16674A006001670X	BOLT M6×16	2
16	15838-ME30-0200	CONNECTING PIPE	1
17	17100-ME30-0600	CARBURETOR	1
18	B16674A006002570X	BOLT M6×25	1

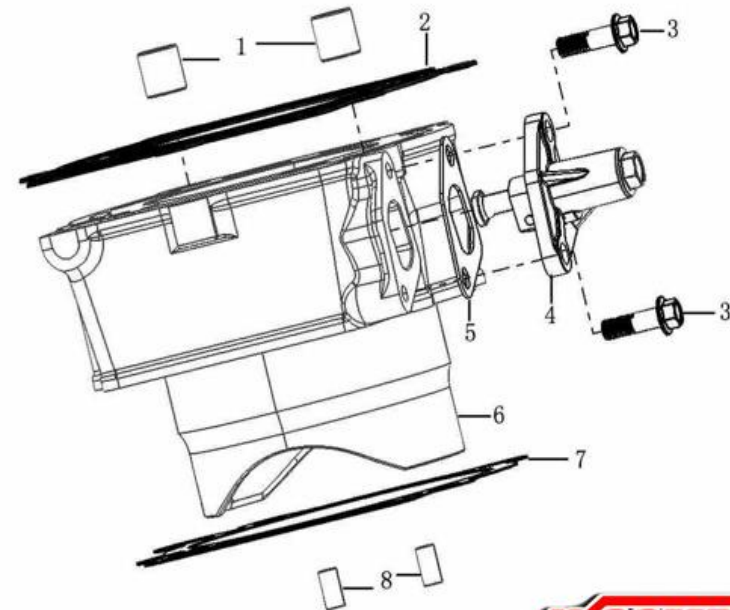


WOOMBER
ORIGINAL PARTS

19	1583B-PE03-0000	CLAMP INLET PIPE	2
20	18007-ME30-0000	PACKING SILENCER	1
21	91138-I008-04000X	BOLT M8×40	2
22	1922A-ME30-0000	STOP PLATE	1
23	B16674A006001070X	BOLT M6×10	1

CYLINDER ASSEMBLY

NO	(PART CODE)	WOOMBER W16	QT
1	91521-13001400000	PIN 13×14	2
2	9022B-ME30-0000	GASKET ASSY, CYLINDER HEAD	1
3	B16674A006002070X	BOLT M6×20	2
4	1554B-ME30-00000W	PLUG OF TIGHTENER	1
5	90211-BA81-0000	GASKET, TENSIONER	1
6	1110B-ME30-00000W	CYLINDER BLOCK ASSEMBLY	1
7	90205-ME30-0000	GASKET, CYLINDER BLOCK	1
8	91522-06001200000	PIN 6×12	2

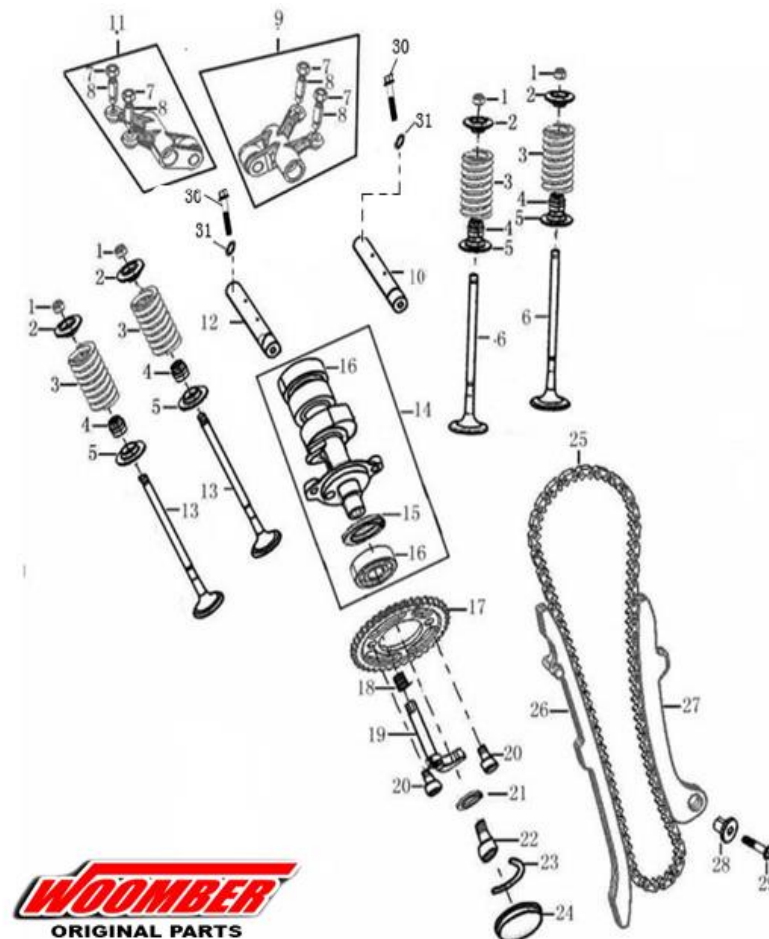


VALVE MECHANISM

NO	(PART CODE)	WOOMBER W16	QT
1	15707-BA81-0000	VALVE LOCKER	8
2	15705-ME30-0100	SPRING SEAT	4
3	15703-ME30-0100	VALVE OUTER SPRING	4
4	1572B-BA81-0000	SEAL, VALVE STEM	4
5	15706-ME30-0000	OUTER VALVE SPRING RETAINER	4



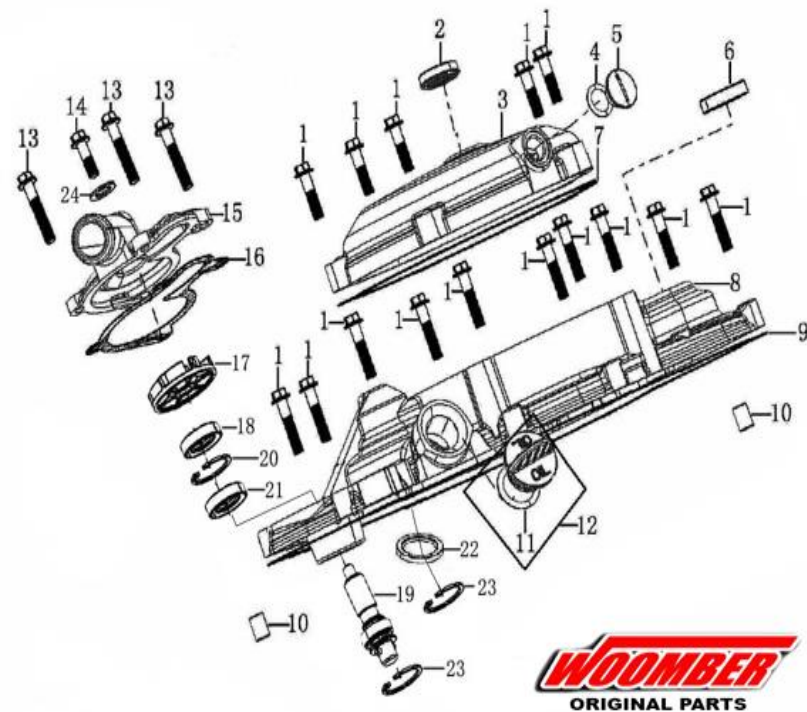
6	15701-ME30-0100	INTAKE VALVE	2
7	15403-BA81-0000	NUT, VALVE CLEARANCE	4
8	15404-BA81-0000	SCREW, VALVE CLEARANCE	4
9	1540A-ME30-0000	ROCKER ARM ASSEMBLY, VALVE	1
10	15402-MH06-0000	ROCKER SHAFT	1
11	1540A-ME30-0100	ROCKER ARM ASSEMBLY, VALVE	1
12	15402-MH06-0100	ROCKER SHAFT	1
13	15702-ME30-0000	EXHAUST VALVE	2
14	15100-MH06-0100	GAMP SHAFT COMP	1
15	15108-ME30-0100	WASHER	1
16	92102-CSB201C3TPI	BEARING (6201C3)	2
17	15301-MH06-0000	TIMING DRIVEN SPROCKET	1
18	15164-ME30-0100	DECOMPRESSION SPRING OF CAMSHAFT	1
19	1516A-MH06-0000	CENTRIFUGAL MASS ASS.	1
20	B000700106001070X	SCREW M6×10	2
21	93301-5065151800N	WASHER 6.5×1.5×18	1
22	B16674A006001670X	BOLT M6×16	1
23	15108-ME30-0000	STOP PLATE, CAMSHAFT	1
24	11264-ME30-0000	SEAL COLLOID OF CYLINDER HEAD	1
25	1532B-L044-0100	SPROCKET CHAIN	1
26	1553A-ME30-0000	GUIDE PLATE CHAIN	1
27	1552A-ME30-0000	TENSION PLATE ASSY	1
28	15526-ME30-0000	BUSH	1
29	B16674A005002570X	BOLT M5×25	1
30	B057890006002270X	BOLT M6×22	2
31	93301-80651512000	WASHER 6.2×1×10	2



RIGHT CRANKCASE COVER

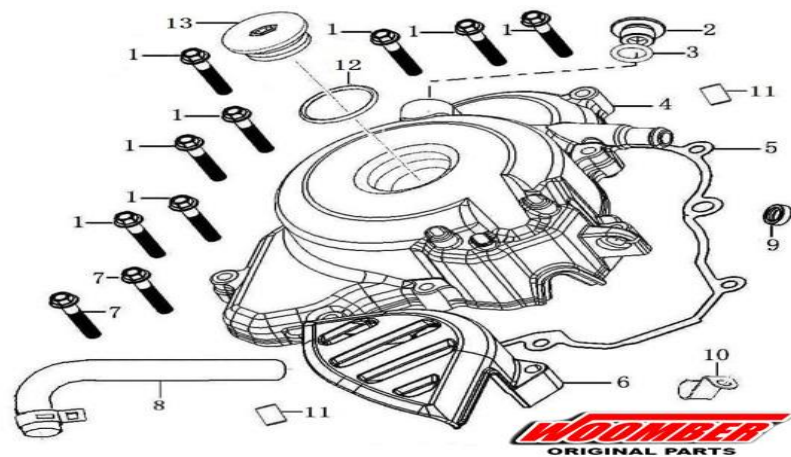
NO	(PART CODE)	WOOMBER W16	QT
1	B16674A006003070X	BOLT M6×30	15
2	12426-ME30-0000	OIL LELVE SIGHT WINDOW	1
3	12425-QI43-00000W	DECORATE COVER , R. CRANKCASE COVER	1
4	90101-10132000265	O-RING 13.2×2.65	1

5	12303-G011-00000W	CAP, SMALL VIEW HOLE	1
6	90304-ME30-0000	OIL SEAL 18×30×7	1
7	90228-ME30-0100	GASKET, DECOTATE COVER	1
8	12421-ME30-00000W	COVER COMP. RIGHT CRANKCASE	1
9	90206-ME30-0100	GASKET, R. CRANKCASE COVER	1
10	91521-09001300000	PIN 9×13	2
11	90101-30180000355	O-RING 18.5×3.55	1
12	14311-ME30-0000	OIL PLUG ASSY	1
13	B16674A006003570X	BOLT M6×35	3
14	B16674A006002070X	BOLT M6×20	1
15	19001-ME30-00000W	WATER PUMP COVER	1
16	90217-ME30-0100	GASKET	1
17	19002-ME30-0000	ANE WHEEL WATER PUMP	1
18	19012-ME30-0000	WATER PUMP SEAL	1
19	19004-ME30-0000	SHAFT , WATER PUMP	1
20	B0089301220000000	CIRCLIP 22	1
21	90326-ME30-0000	OIL SEAL 12×24×6	1
22	90302-ME30-0000	OIL-SEAL 14×24×7	1
23	B0089301240000000	CIRCLIP 24	2
24	93301-80651512000	WASHER 6.5×1.5×12	1



LEFT CRANKCASE COVER

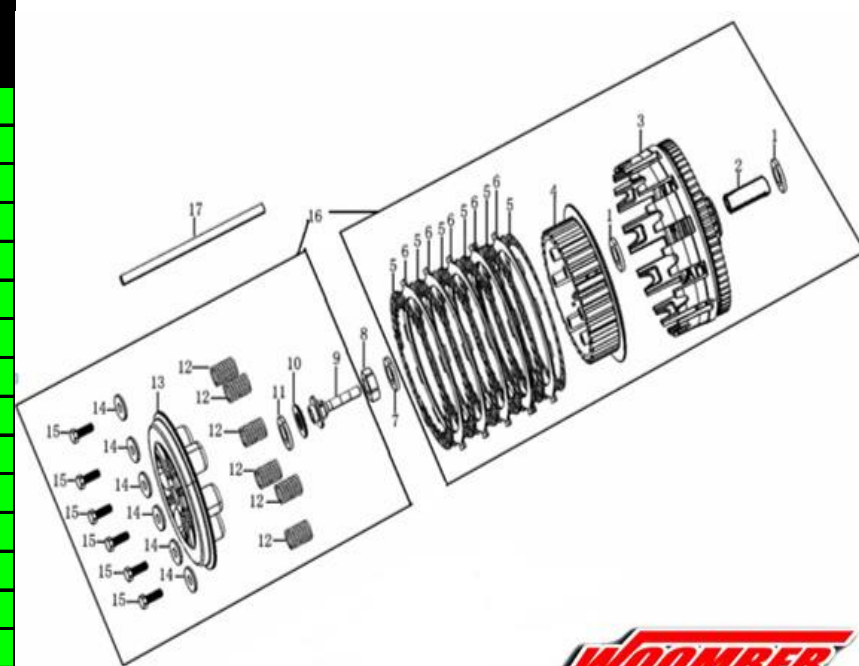
NO	(PART CODE)	WOOMBER W16	QT
1	B16674A006003570X	BOLT M6×35	8
2	15415-ME30-0000	BOLT M14×1	1
3	90101-30118000260	O-RING 11.8×2.6	1
4	12301-ME30-00000W	FRONT PART, L. CRANKCASE COVER	1
5	90207-ME30-0000	GASKET, CYLINDER HEAD UPPER COVER	1
6	12302-ME30-0000	BACK PART, L. CRANKCASE COVER	1
7	B16674A006003070X	BOLT M6×30	2
8	12130-I008-0001	BREATH TUBE	1
9	90302-H092-0000	OIL-SEAL 10×18×6	1
10	12305-PE03-01000G	FIXING PLATE, MAGNETO CABLE	1



11	91521-09001300000	PIN 9×13	2
12	90101-00225000355	O-RING 22.5×3.55	1
13	12304-I038-00000W	CAP, BIG VIEW HOLE	1

CLUTCH ASSY

NO	(PART CODE)	WOOMBER W16	QT
1	93301-52021834000	WASHER 20.2×1.8×34	2
2	22104-ME30-0000	SLEEVE, CLUTCH	1
3	22150-ME30-0000	OUT CASE ASSEMBLY, CLUTCH	1
4	22105-ME30-0000	CENTER SLEEVE, CLUTCH	1
5	22214-ME30-0000	DRIVE FRICTION DISK	6
6	22215-ME30-0000	OUTER FRICTION DISK A	5
7	22001-ME30-0000	STOP WASHER, CLUTCH	1
8	91202-ME30-0000	NUT M16×1	1
9	22314-ME30-0000	ROD, CLUTCH PUSH	1
10	92102-I093-0000	BEARING (AXK1528)	1
11	93301-51501028000	WASHER 15×1×28	1
12	22142-ME30-0000	SPRING, CLUTCH	6
13	22122-ME30-0000	PRESSURE PLATE, CLUTCH	1
14	93301-30522017000	WASHER 5.2×2×17	6
15	B0578300050025SON	BOLT M5×25	6
16	22000-ME30-0000	CLUTCH ASSY	1
17	22403-ME30-0000	PUSHING ROD, CLUTCH	1

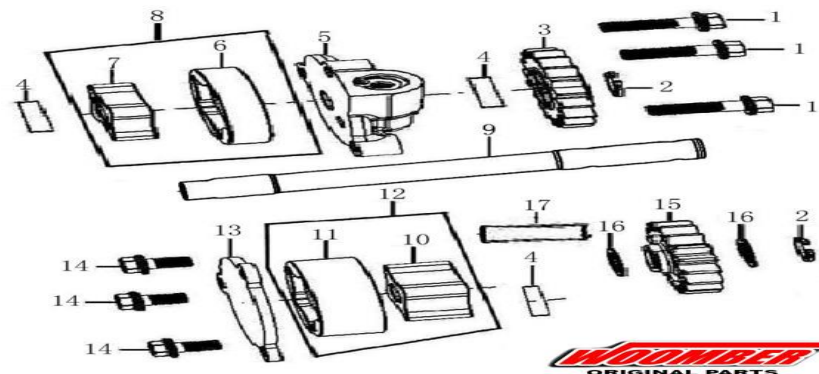


WOOMBER
ORIGINAL PARTS

OIL PUMP

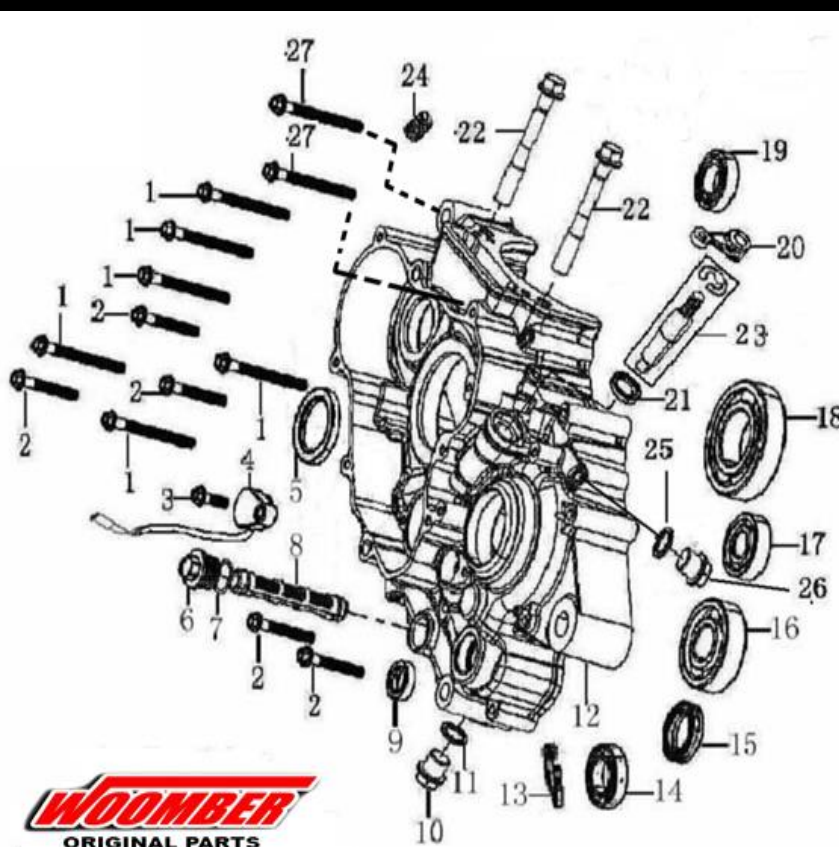
NO	(PART CODE)	WOOMBER W16	QT
1	B16674A005001870X	BOLT M5×18	3
2	B0089401100000000	CIRCLIP 10	2
3	1410B-ME30-0000	OIL PUMP GEAR ASS.	1
4	91522-04001580000	PIN 4×15.8	2
5	14108-ME30-0100	OIL PUMP COVER	1
6	14112-ME30-0000	OUTER ROTOR, OIL PUMP	1
7	14111-ME30-0000	INNER ROTOR, OIL PUMP	1

8	14120-ME30-0100	OIL PUMP ROTOR	1
9	14107-ME30-0000	SHAFT, OIL PUMP	1
10	14111-ME30-0100	INNER ROTOR, OIL PUMP	1
11	14112-ME30-0100	INNER ROTOR, OIL PUMP	1
12	14120-ME30-0200	OIL PUMP ROTOR	1
13	14108-ME30-0000	OIL PUMP COVER	1
14	B16674A005001270X	BOLT M5×12	3
15	14135-ME30-0000	OIL PUMP GEAR	1
16	93301-51020515000	WASHER 10.2×0.5×15	2
17	14134-ME30-0000	OIL PUMP GEAR SHAFT	1



LEFT CRANKCASE

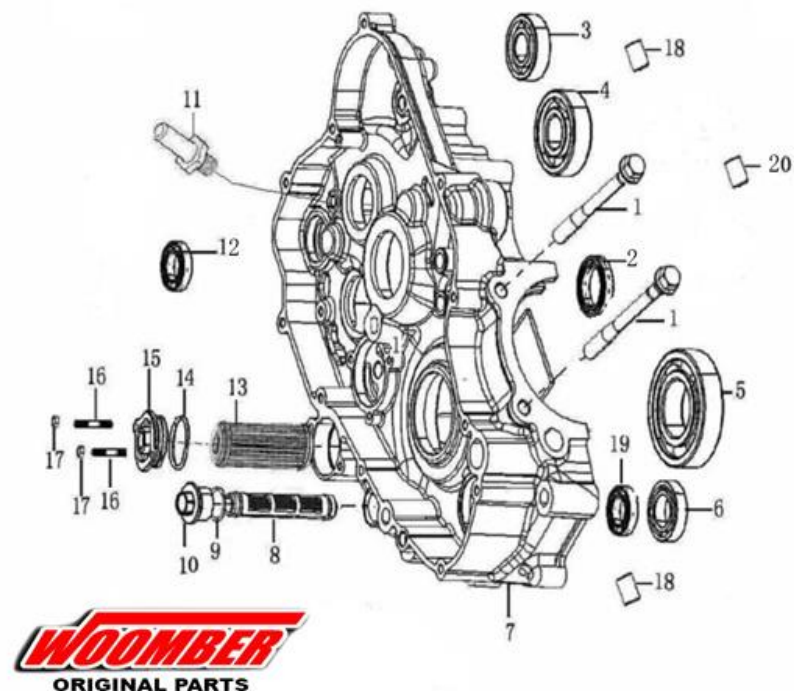
NO	(PART CODE)	WOOMBER W16	QT
1	B16674A006006570X	BOLT M6×65	6
2	B16674A006004570X	BOLT M6×45	5
3	B008190106002020X	SCREW M6×20	1
4	88031-ME30-020055	GEARSHIFT SWITCH COMP	1
5	90303-ME30-0000	OIL SEAL 32×47×6	1
6	14305-ME30-00000H	COVER, OIL FILTER SCREEN	1
7	90101-30175000180	O-RING 17.5×1.8	1
8	1431B-ME30-0000	STRAINER, OIL FILTER	1
9	90345-PE03-0000	OIL SEAL 15×25×5	1
10	91103-QI43-00000X	OIL DRAIN PLUG	1
11	93301-71652023000	WASHER $\phi 16.5 \times 2 \times \phi 23$	1
12	1212B-ME30-00000W	LEFT CRANKCASE BLOCK	1
13	B0089301280000000	CIRCLIP 28	1
14	92102-0000619022Z	BEARING (61902)	1
15	92102-00000061805	BEARING (61805)	1
16	92102-0006322P516	BEARING (63/22/P5/16)	1
17	92102-00006203P63	BEARING (6003/P53)	1
18	92102-006207JR2C3	BEARING (6207/C3SPX1)	1
19	92102-00CSB004TPI	BEARING (CSB004 JR2CS18SPX9)	1
20	22312-ME30-00000X	ROCKER ARM, RELEASE LEVER, CLUTCH	1



21	90305-1008-0100	OIL SEAL 14×22×5	1
22	91104-ME30-0000	BOLT	2
23	22313-ME30-00000X	CLUTCH SEPARATING ROD	1
24	92202-ME30-0000	OIL NOZZLE	1
25	93301-80851215000	WASHER 8.5×12×15	1
26	91132-IA20-00000X	BOLT M8×10	1
27	B16674A006007070X	BOLT M6×70	2

RIGHT CRANKCASE

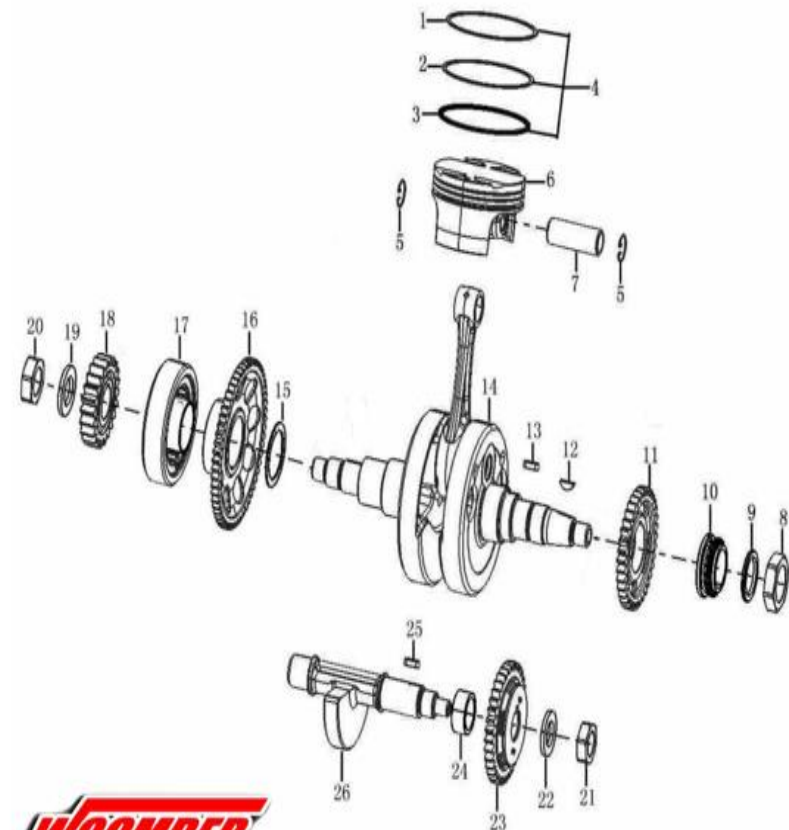
NO	(PART CODE)	WOOMBER W16	QT
1	91104-ME30-0000	BOLT	2
2	92102-00000061805	BEARING (61805)	1
3	92102-00006203P63	BEARING (6203/P63)	1
4	92102-00006304TPI	BEARING (6304ht2c3spr1)	1
5	92102-6207JR2LUC3	BEARING (6207/C3SPX1)	1
6	92102-00CSB004TPI	BEARING (CSB004 JR2LUACS18SPX9)	1
7	1222B-ME30-02000W	RIGHT CRANKCASE BLOCK	1
8	1431B-ME30-0000	STRAINER, OIL FILTER	1
9	90101-30175000180	O-RING 17.5×1.8	1
10	14305-ME30-00000H	COVER, OIL FILTER SCREEN	1
11	91117-ME30-0000	BOLT, RETURN SPRINGN FIXING	1
12	92102-0000619022Z	BEARING (61902)	1
13	14210-ME30-0000	OIL FILTER	1
14	90101-30300000260	O-RING 30×2.6	1
15	12402-ME30-00000W	CAP, OIL FILTER	1
16	91140-ME30-00000X	BOLT M5×22	2
17	B061770105000090X	NUT 5	2
18	91521-13001400000	PIN 13×14	2
19	90303-H092-0000	OIL SEAL 20×35×5	1
20	91521-08001200063	PIN 8×12×6.3	1



CRANKSHAFT CONNECTING-ROD ASSY/PISTON

NO	(PART CODE)	WOOMBER W16	QT
----	-------------	-------------	----

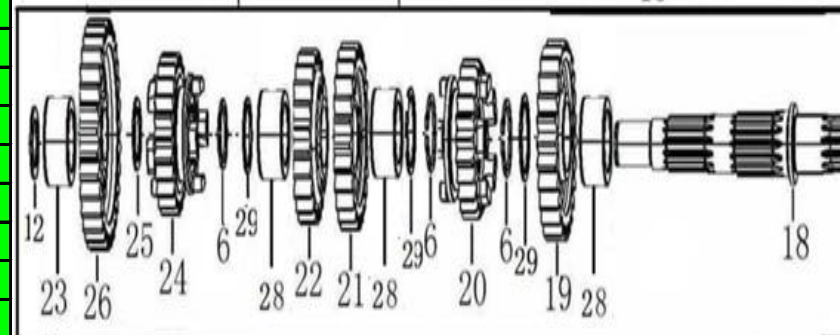
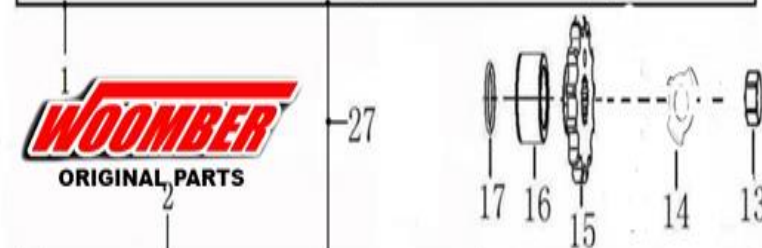
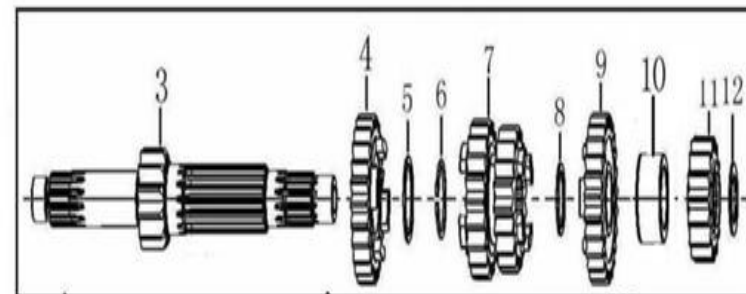
1	13103-ME30-0000	PISTON RING 1	1
2	13104-ME30-0000	PISTON RING 2	1
3	13120-ME30-0000	OIL RING ASSY	1
4	1310A-ME30-0000	PISTON RING COMP	1
5	91401-ME30-0000	CHECK RING, PISTON PIN	2
6	13101-ME30-0100	PISTON	1
7	13102-ME30-0000	PIN PISTON	1
8	91220-ME30-0100	NUT M24	1
9	93301-42422532000	WASHER 24.2×2.5×32	1
10	13222-ME30-0000	HUB DUMP CHAIN SPROCKET	1
11	13302-ME30-0000	DRIVING GEAR	1
12	91601-ME30-0000	SEMICIRCULAR KEY	1
13	91606-ME30-0000	TABULATE KEY	1
14	1320B-MZ30-0001	CRANKSHAFT CONNECTING-ROD ASSY	1
15	93301-52301040000	WASHER 23×1×40	1
16	2142A-ME30-0000	PLATE GEAR ASSY	1
17	21300-ME30-0000	ASSEMBLY, OVERRUNNING CLUTCH	1
18	23101-ME30-0000	PRIMARY DRIVE GEAR	1
19	22001-ME30-0400	WASHER	1
20	91218-ME30-0100	NUT	1
21	91202-ME30-0000	NUT	1
22	22004-I006-0000	DISH WASHER, CLUTCH	1
23	1331B-ME30-0000	DRIVEN GEAR ASS.	1
24	23206-ME30-0000	CRANKSHAFT TUBE	1
25	91607-ME30-0000	TABULATE KEY	1
26	13301-ME30-0000	BALANCE SHAFT	1



WOOMBER
ORIGINAL PARTS

TRANSMISSION MAIN, COUNTER SHAFT			
NO	(PART CODE)	WOOMBER W16	QT
1	23220-ME30-0000	MAIN SHAFT, TRANSMISSION	1
2	23240-ME30-0200	COUTERSHAFT TRANSMISSION	1
3	23221-ME30-0100	TRANSMISSION MAIN SHAFT	1
4	23222-ME30-0005	GEAR M-5	1

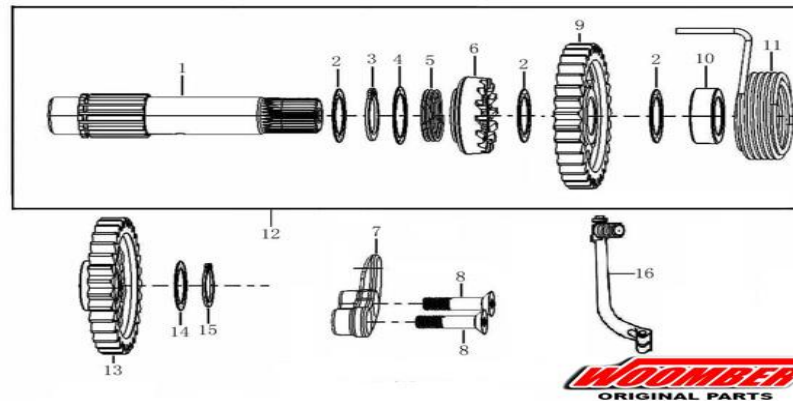
5	93301-52511030000	WASHER 25.1×1.0×30	1
6	23226-M037-0000	CIRCLIP	4
7	23222-ME30-0034	GEAR M-3、4	1
8	93301-52021028000	WASHER 20.2×1×28	1
9	23222-ME30-0006	GEAR M-6	1
10	92102-0000K202410	NEEDLE BEARING K20×24×10	1
11	23222-ME30-0102	GEAR M-2	1
12	93301-51711026000	WASHER 17.1×1.0×26	2
13	91203-M037-0000	BOLT M10×1.25	1
14	22001-ME30-0200	WASHER	1
15	23401-ME30-0002	DRIVE SPROCKET	1
16	23106-ME30-0000	BUSH	1
17	90101-30210000200	O-RING 21×2	1
18	23241-ME30-0200	TRANSMISSION COUNTER SHAFT	1
19	23242-ME30-0202	GEAR C-2	1
20	23242-ME30-0206	GEAR C-6	1
21	23242-ME30-0203	GEAR C-3	1
22	23242-ME30-0204	GEAR C-4	1
23	21311-ME30-0000	BUSH	1
24	23242-ME30-0205	GEAR C-5	1
25	93301-51901026000	WASHER19×1×26	1
26	23242-ME30-0201	GEAR C-1	1
27	23200-ME30-0500	MAINSHAFT ASSEMBLY	1
28	92102-0KS222610TN	NEEDLE BEARING K22×26×10TN	3



KICK STARTING SHAFT ASSEMBLY

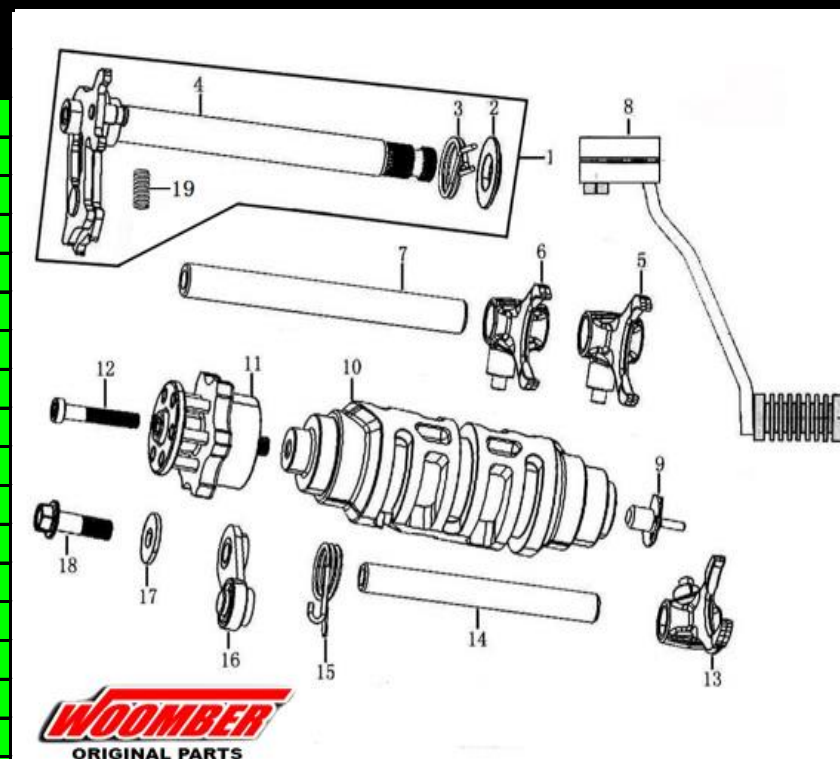
NO	(PART CODE)	WOOMBER W16	QT
1	21107-ME30-0000	PIVOT, KICK STARTING SHAFT	1
2	93301-51850526000	WASHER 18.5×0.5×26	3
3	B0089401210000000	CIRCLIP 21	1
4	93301-52170529500	WASHER 21.7×0.5×29.5	1
5	21119-ME30-0000	SPRING, KICK STARTING RATCHET WHEEL	1

6	21118-ME30-0000	STARTING RATCHET	1
7	21123-ME30-0000	GUIDE PLATE	1
8	B008190106002570X	SCREW M6×25	2
9	21117-ME30-0000	GEAR, KICK STARTER	1
10	21104-ME30-0000	SEAT, SPRING, KICK STARTING SHAFT	1
11	21106-ME30-0000	RETURN SPRING, KICK STARTING SHAFT	1
12	21100-ME30-0000	KICK STARTING SHAFT ASSEMBLY	1
13	93301-61710526000	WASHER 17.1×0.5×26	1
14	23248-ME30-0000	GEAR	1
15	B0089401170000000	CIRCLIP 17	1
16	21200-ME30-0000	START-UP BAR COMP	1



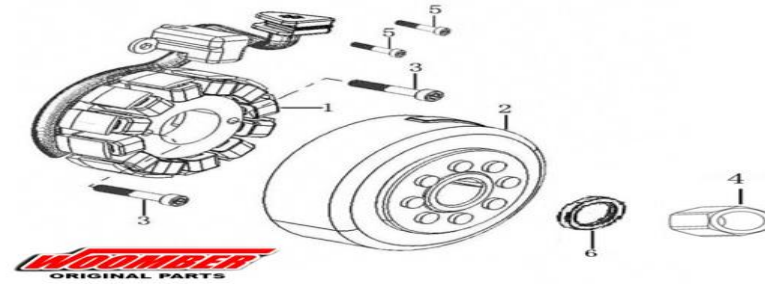
GEARSHIFT MECHANISM

NO	(PART CODE)	WOOMBER W16	QT
1	24300-ME30-0000	GEARSHIFT LEVER COMP	1
2	24324-ME30-0000	AXLE SLEEVE	1
3	24302-ME30-0000	RETURN SPRING	1
4	24301-ME30-0000	GEARSHIFT SHAFT COMP	1
5	24104-MZ30-0000	RIGHT FORK, COUNTERSHAFT	1
6	24105-MZ30-0000	LEFT FORK, COUNTERSHAFT	1
7	24108-ME30-0000	GUIDE PIN, SELECTOR FORK CENTER	1
8	24400-D002-0072	GEARSHIFT SHAFT	1
9	88004-I008-0100	CONTACT, CEARINDICATION	1
10	24200-ME30-0000	GEARSHIFT DRUM COMP	1
11	24202-MZ30-0000	STOPPING PLATE	1
12	B000700106003570X	SCREW M6×35	1
13	24106-ME30-0000	CENTER FORK, MAINSHAFT	1
14	24107-ME30-0000	SHAFT , GEARSHIFT FORK	1
15	24304-ME30-0100	SPRING , LOCATING PLATE	1
16	2434A-ME30-0000	LOCATING PLATE ASSY	1
17	93301-5065151800N	WASHER 6.5×1.5×18	1
18	B16674A006002070X	BOLT M6×20	1



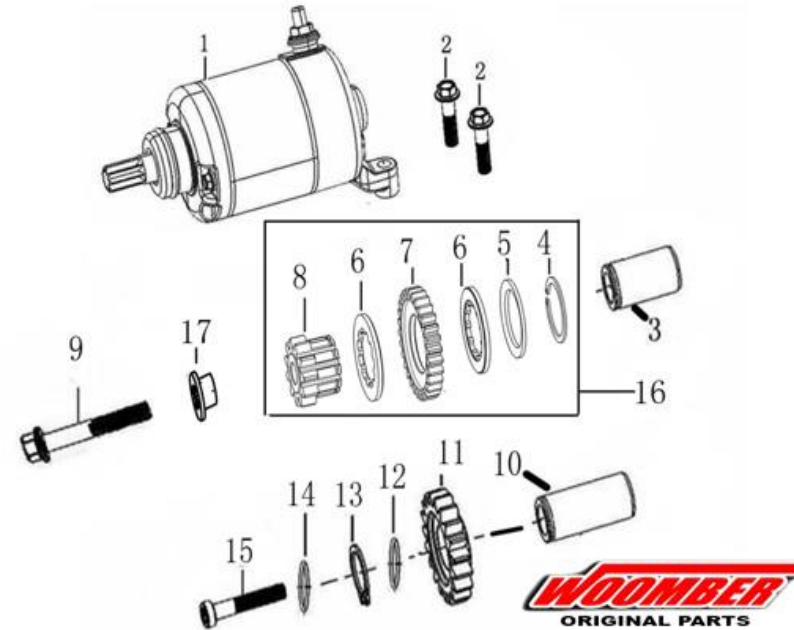
MAGNETO COMP

NO	(PART CODE)	WOOMBER W16	QT
1	82120-ME30-000043	STATOR ASSY, MAGNETO	1
2	82130-ME30-0000	ROTOR ASSY, MAGNETO	1
3	B000700105003070X	SCREW M5×30	2
4	91213-ME30-0000	NUT M14×1.5	1
5	B000700105001070X	SCREW M5×10	2
6	93301-5152152500N	WASHER 15.2×1.5×25	1



ELECTRIC STARTING MECHANISM

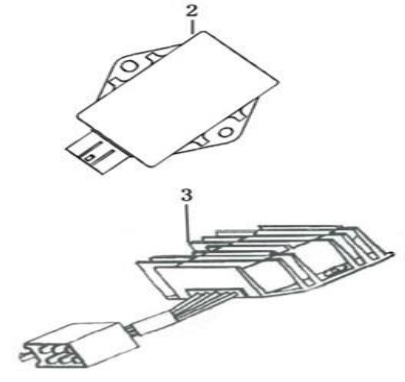
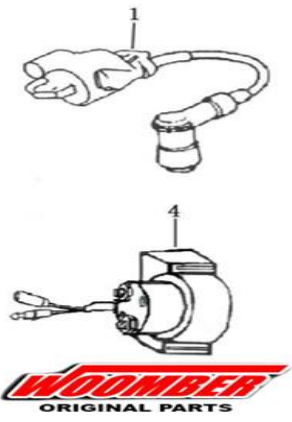
NO	(PART CODE)	WOOMBER W16	QT
1	82200-ME30-000051	STARTING MOTOR ASSY	1
2	B16674A006002570X	BOLT M6×25	2
3	21402-ME30-0000	SHAFT, REDUCTION, 1	1
4	23226-M037-0000	CIRCLIP	1
5	93302-52552041000	DISH WASHER	1
6	21426-ME30-0000	OUTER FRICTION DISK	2
7	21421-ME30-0500	GEAR, REDUCTION, 1	1
8	21403-ME30-0000	SLEEVE, GEAR	1
9	B0007001060050702	SCREW M6×50	1
10	21402-ME30-0100	SHAFT, REDUCTION, 2	1
11	21401-ME30-0000	GEAR, REDUCTION, 2	1
12	93301-51520523000	WASHER 15.2×0.5×23	1
13	B0089401150000000	CIRCLIP 15	1
14	B000930006000000B	WASHER	1
15	B000700106004070X	SCREW M6×40	1
16	2140A-ME30-0100	GEAR REDUCTION ASSY, 1	1
17	21425-ME30-0000	WASHER	1



ELECTRIC

NO	(PART CODE)	WOOMBER W16	QT
1	81100-ME30-000020	IGNITION COIL	1

2	81200-ME30-0200	C. D. I	1
3	83100-JA32-0400	RECTIFIER	1
4	82290-I049-000016	RELAY	1



[REDACTED]

[REDACTED]









[REDACTED]

[REDACTED]





[REDACTED]

[REDACTED]

[REDACTED]

[REDACTED]

[REDACTED]